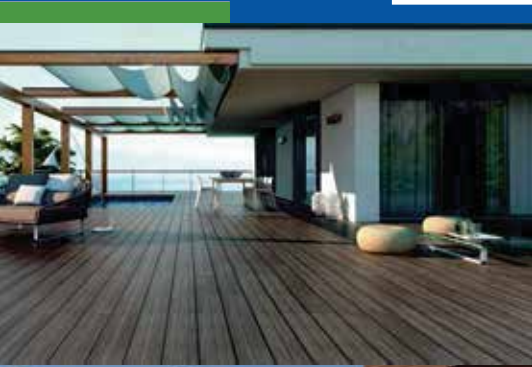


WPC लगाए, दिमक से छुटकारा पाए...

#MADE IN BHARAT



An Expert Choice **PVC/WPC**



*Architectural*  
**INTERIOR**  
& EXTERIOR  
**WPC APPLICATIONS**



Use WPC  
Think Green & Live Green

The ability to craft and use high quality materials for a structure convey sentiments and encourage new ideas. New age design enthusiasts with time have come to appreciate engineered high-performance composite materials for specific geographical locations and uses, with this brochure we showcase the inventive and technical constituents of our WPC extrusions for outdoor and indoor use and simply in understanding the importance of balancing utility, functionality and aesthetics- all at the same time!

With the sentiment of helping minimize environmental pollution, we've brought something that will withstand years of sun, rain, snow and big gatherings. These high-performance composite planks hold steady against natural elements: they resist fading from the sun and won't get mouldy after a rainstorm or give you splinters.

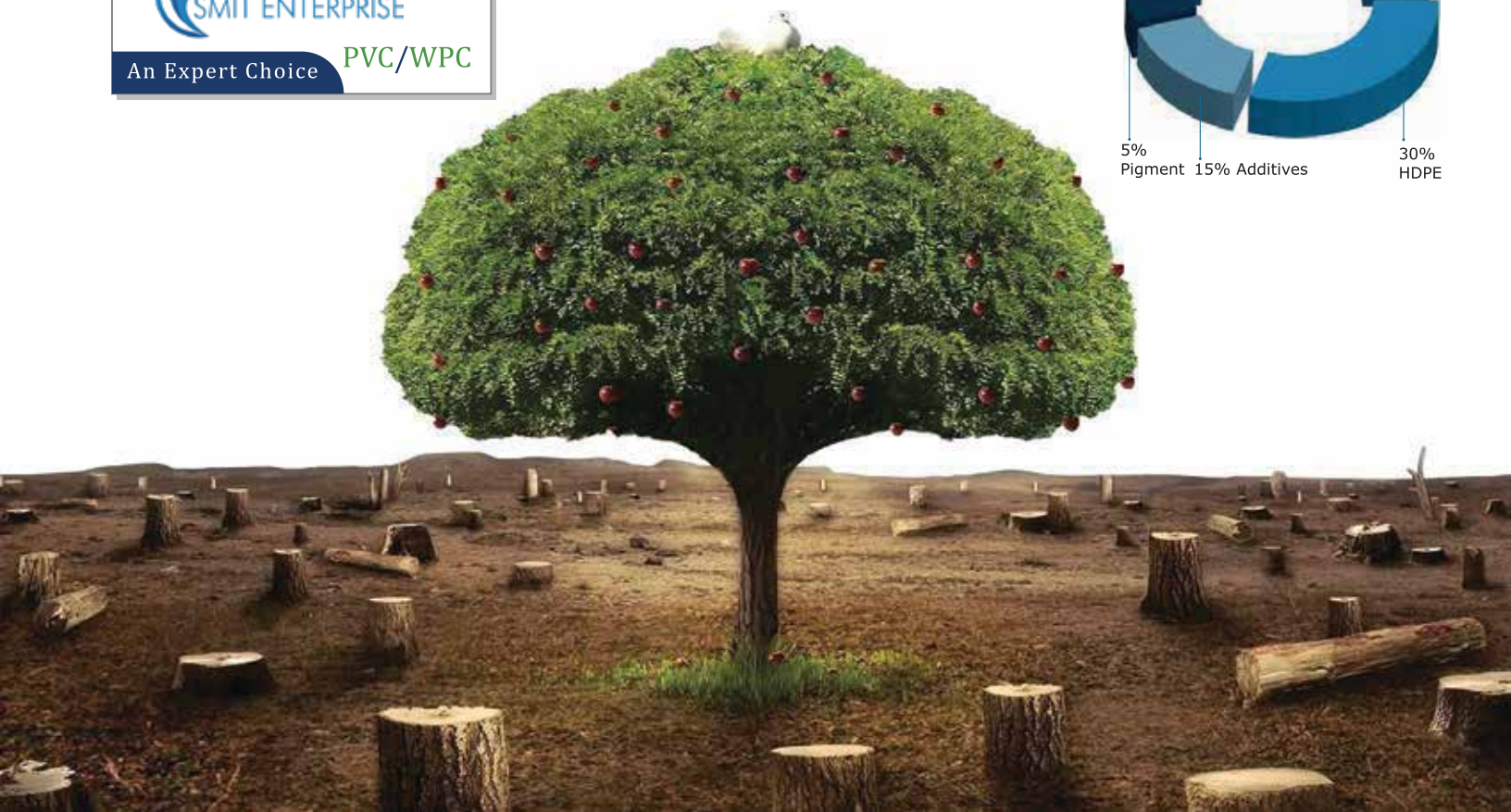
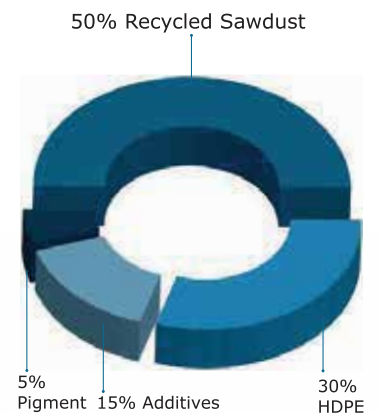
Our planks are manufactured primarily from a blend of recycled organic [Wasted Wood fibers] and plastic materials [post commercial recycled HDPE- High Density Polyethylene]

The organic materials in these boards is recycled and reclaimed wood: the polyethylene is principally recycled shrink wrap and grocery bags - all of which would otherwise end up



- High Impact Resistance and less susceptible to scratches
- Impervious to oxidizing; preventing chalkiness
- Superior beauty and comfort; Low maintenance

- No warping, rolling or splinters
- Environmentally friendly & less polluting.
- Highly affordable.





An Expert Choice

PVC/WPC



- 01** Exterior & Interior Wall Cladding
- 02** Exterior & Interior Ceiling Cladding
- 03** Exterior & Interior Fluted Cladding

- 04** Outdoor Decking
- 05** Deck Tiles
- 06** Terrace & Garden Pergola



**07** Shading & Baffles

**08** Railings

**09** Louvers & Screens

**10** Horizontal Fins

**11** Vertical Elevation Fin Features

**12** Gates & Fencing

# Wood Vs. WPC

High Water Absorption Result  
- Expansion & Contraction



WPC Door Frame are  
100% Waterproof

Wooden Door Frames are tasty  
for termites & there is no way  
to avoid it.



WPC Door Frames are  
100% Termite proof

Wooden Door Frames catch fire  
and pass it on, not safe  
during fire emergencies



WPC Door Frames are Fire  
Retardent They never catch or  
spread fire

Wooden Door Frames are  
damages by UV rays They are  
not exterior grade product



WPC Door Frames are UV  
Resistant  
No Damage by UV Rays

Wooden Door Frames can only  
be installed during construction  
stage



WPC Door Frames can be  
installed even after construction  
and paint stage by using Fastners

Huge wastage of wood is  
involved during production  
of Wooden Door Frames



WPC Door Frames are ready made  
and ready product Zero wastage  
even in bulk products

Wood Door Frame density is  
( 0.7g.cm<sup>3</sup> - 1.0g/cm<sup>3</sup> )



WPC Door Frames density  
is (1.0g/cm<sup>3</sup>)

Wood Door Frame are comparatively  
cheaper but when combined with carpenter,  
time, paint/polish, cost, they become expensive



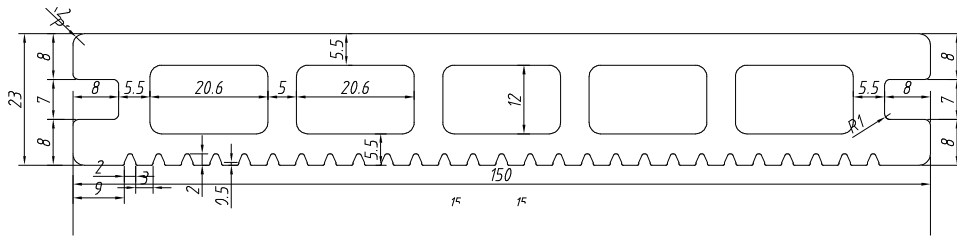
WPC Door Frames are ready to installed  
product save Carpenter, time, paint/ polish,  
cost with fine finish.

Thousand of trees cut to make  
wooden door frame



WPC Door Frames are  
100% environment friendly

**Smit Enterprise.** low maintenance decking is suitable for every need. Elegant colours, combined with different surface finishes, results in an unmatched choice for different conditions which look great and will stay that way. High performance, low on maintenance, WPC reversible deck planks are fitted to an aluminium framework with concealed fixtures, offering barefoot safe anti-skid surfaces.



**Profile Code** : EW-1001  
**Dimensions** : 150mm x 23mm  
**Standard Length** : 8ft, 10ft

**Profile Code** : EW-1002  
**Dimensions** : 150mm x 23mm  
**Standard Length** : 8ft, 10ft



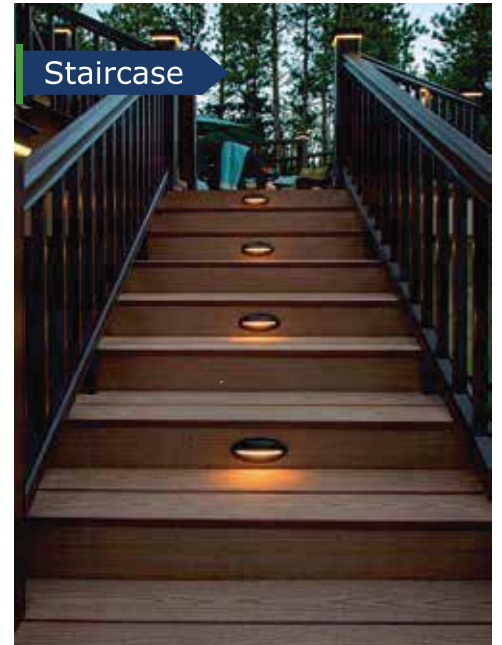
Floor Decking



Bridge Decking



Staircase



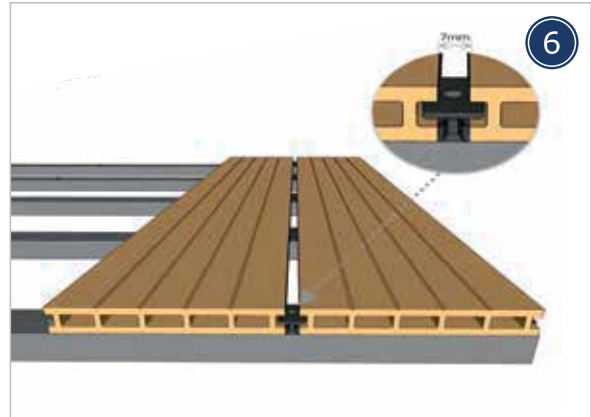
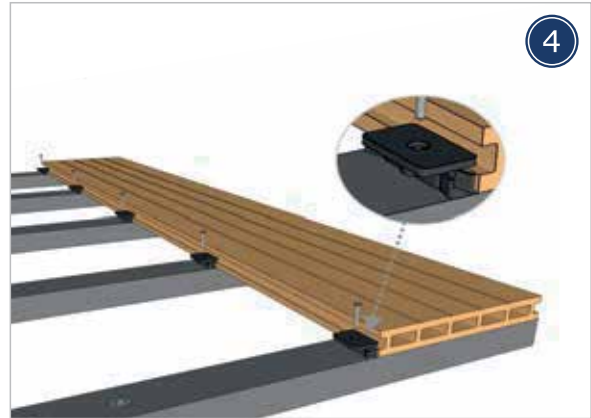
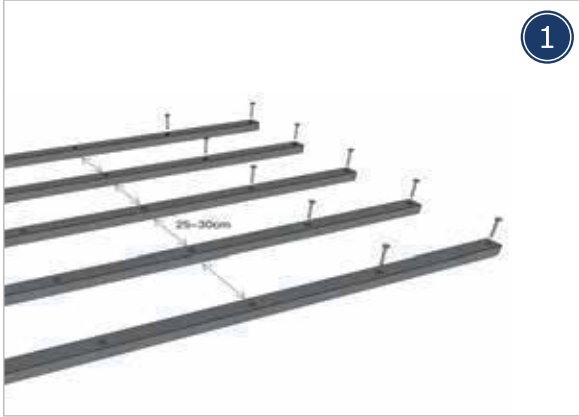
Planter Box



Bench



# DECK FLOOR INSTALLATION





## Hardware & Accessories



Nylon Deck Flip



Steel Deck Flip



Starter Clip



WPC Edge Profile

## How to Install Deck Flooring

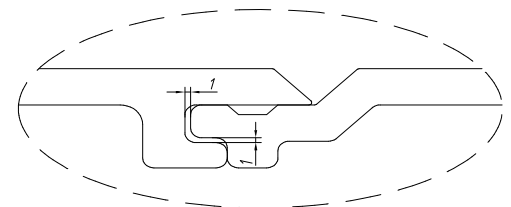
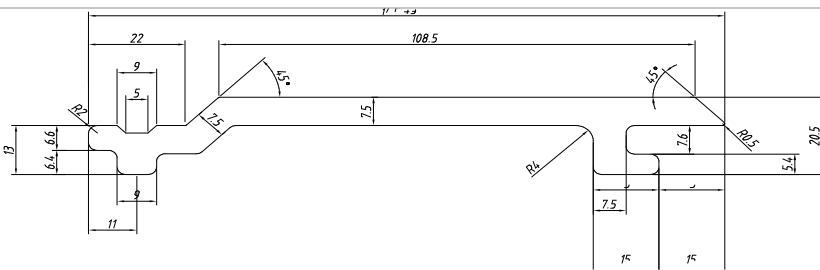
1. Considering the heat and water absorption ,WPC products will be slightly inflation,so the joist when placed should be reserved 3-5 mm from the building.
2. Considering the hard brittle of WPC materials,the joist need to pre-drilling before fix the expansion screw.
3. The spacing between joists should be 25-30cm.
4. The spacing between expansion screws should be 400mm to 500mm.
5. After the joist is fixed, drainage should be done to avoid factors that damage the decking, such as water swelling.
6. Fix the starter clips on one side of the joist.
7. Insert the decking into the starter clips, and install the first decking board.
8. Insert the clips in board and screw into joist (do not tighten).
9. Insert the second board into previous clips.
10. Insert next row of clips securing board (do not tighten).
11. Fully tighten clips & screws from step 8 and repeat from step 9.
12. Finish the corner edging and complete the decking installation.



# WPC WALL CLADDING



**Smit Enterprise.** Cladding boards lend a distinct impression on facades. They are highly resistant to fading or dis-colouration, Give new look to the building for years, without any hassles of periodic maintenance. Interlocking assembly of the product ensures no water leaks to the building superstructure hollow core technology for insulation are benefits which may not be available in other facade solutions.



**Profile Code** : EW-2001  
**Dimensions** : 145mm x 20.5mm  
**Standard Length** : 8ft, 10ft

**Profile Code** : EW-2002  
**Dimensions** : 145mm x 20.5mm  
**Standard Length** : 8ft, 10ft





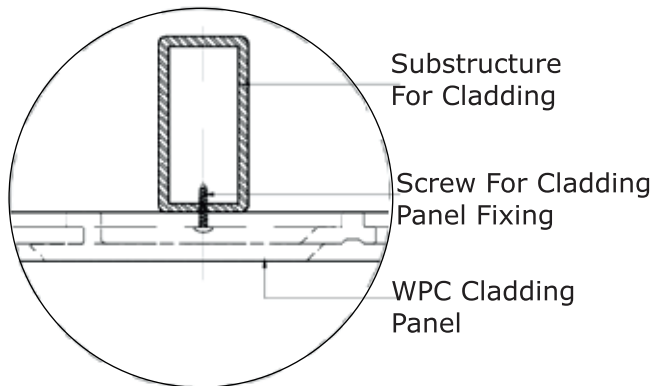
# Installation



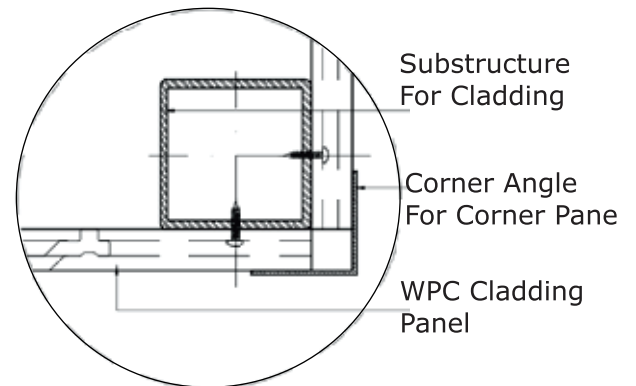
Elevation Cladding

Ceiling

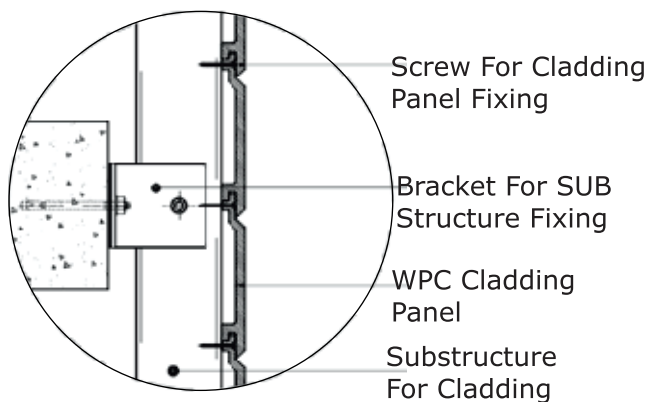
## FIXING DETAILS OF ELEVATION CLADDING



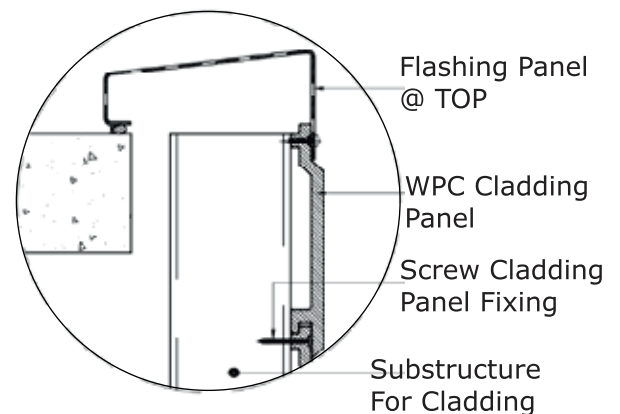
**Typical Plan Detail**



**Typical Corner Detail**

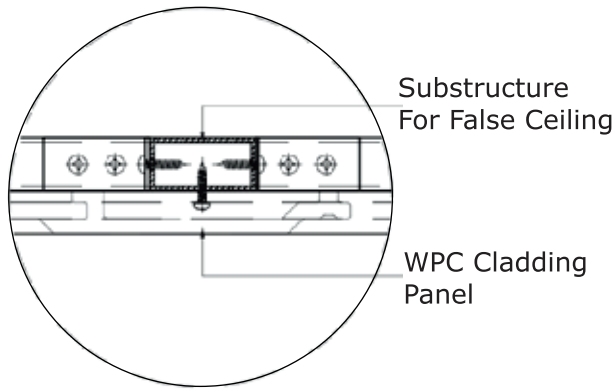


**Typical Intermediate Detail**

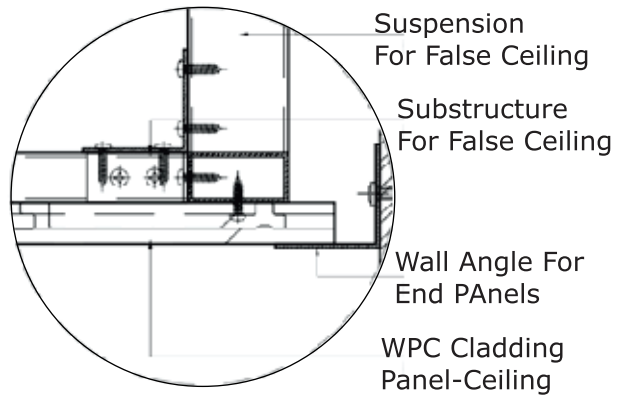


**Typical Top Detail**

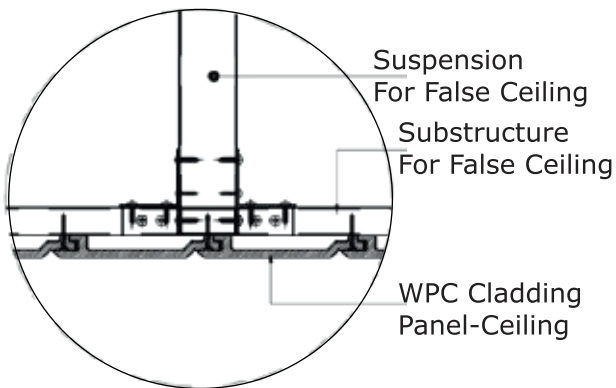
# Fixing Details Of False Cladding



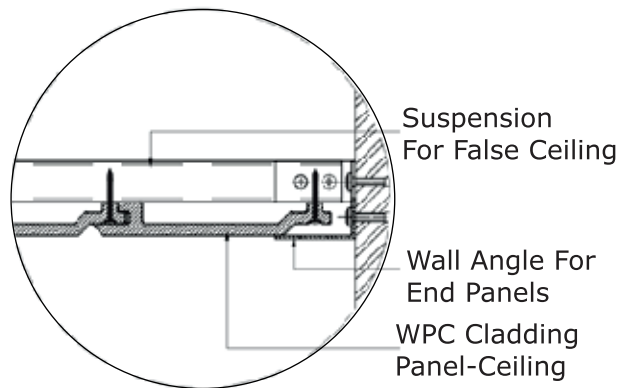
**Typical Plan Detail**



**Typical End Detail**

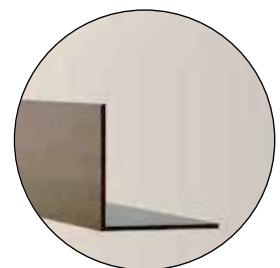
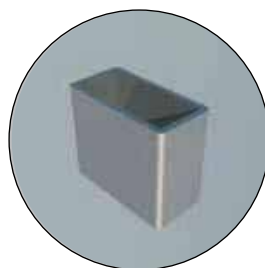
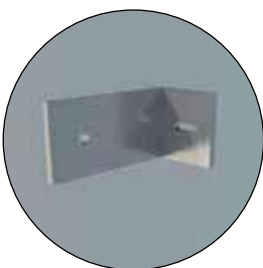


**Typical Intermediate Detail**



**Typical End Detail**

## Hardware & Accessories







**Profile Code** : EW-3001  
**Dimensions** : 142mm x 12mm  
**Standard Length** : 8ft, 10ft

**Profile Code** : EW-3002  
**Dimensions** : 142mm x 12mm  
**Standard Length** : 8ft, 10ft



WATER PROOF



TERMITE PROOF



FIRE RESISTANCE



HIGH SCREW HOLDING CAPACITY



RECYCABLE



MOISTURE PROOF



ECO FRIENDLY



EASY TO INSTALL



An Expert Choice **PVC/WPC**

Balcony Casing



Gate



Plumbing Duct Covering



Partation



Boundary Fencing

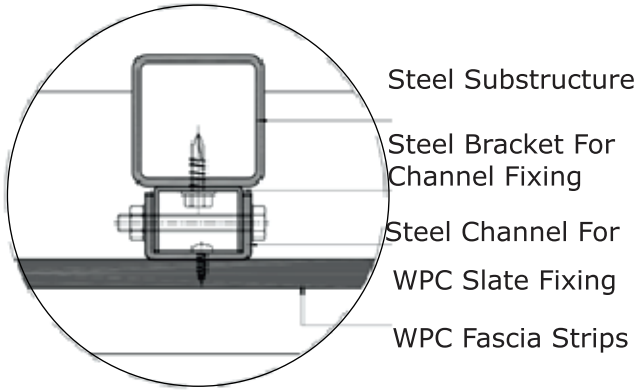


Balcony Railing

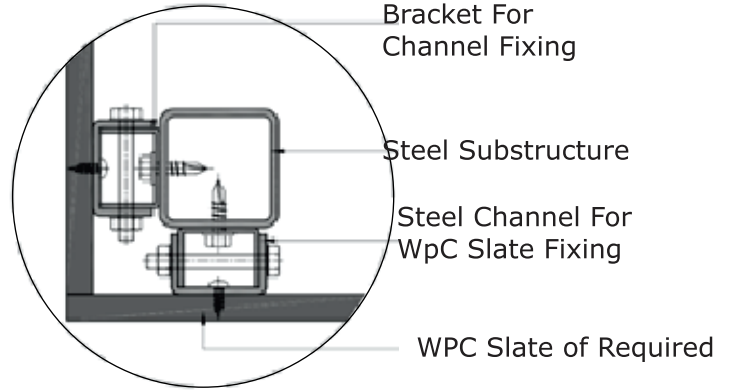




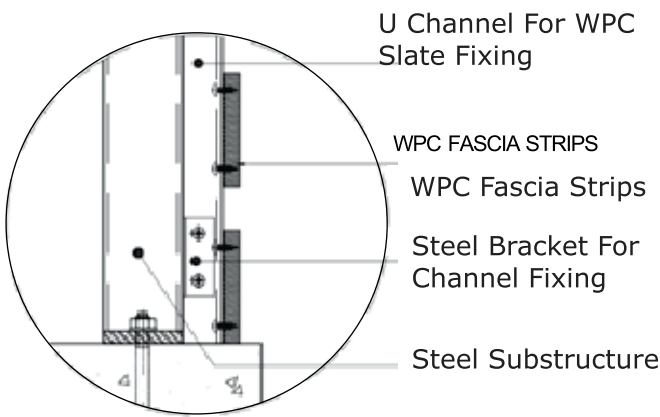
# WPC PLANK INSTALLATION



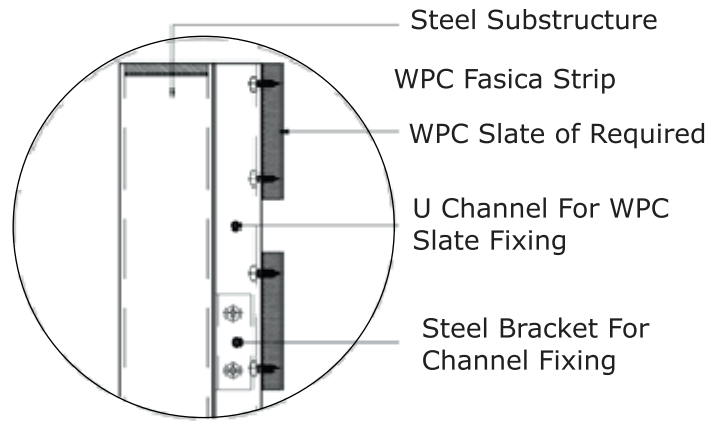
**Horizontal Fixing Detail**



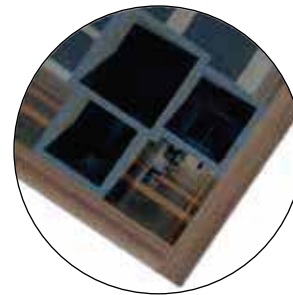
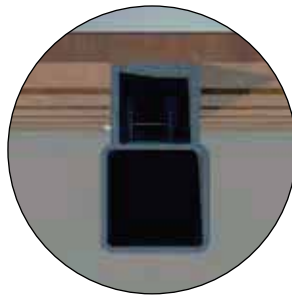
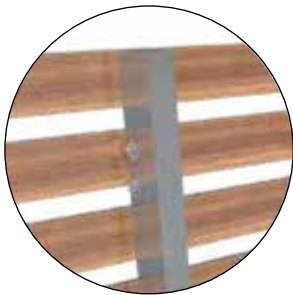
**Horizontal Corner Detail**



**Bottom Fixing Detail**



**Top Fixing Detail**



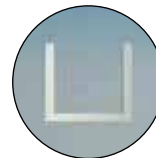
## HARDWARE & ACCESSORIES



Substructure Box



Bolt Nut



U Channel/bracket



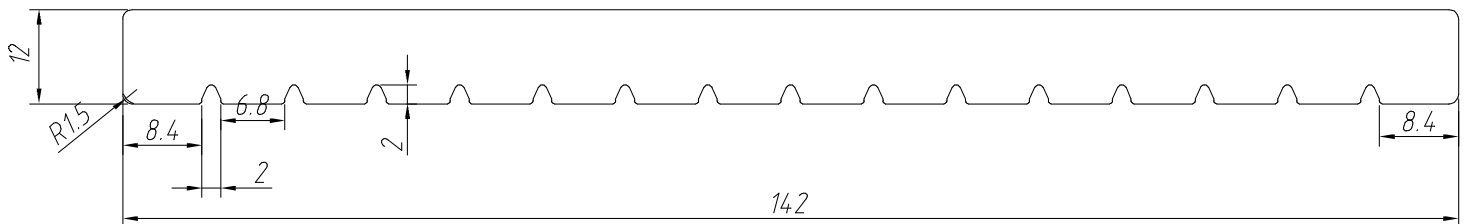
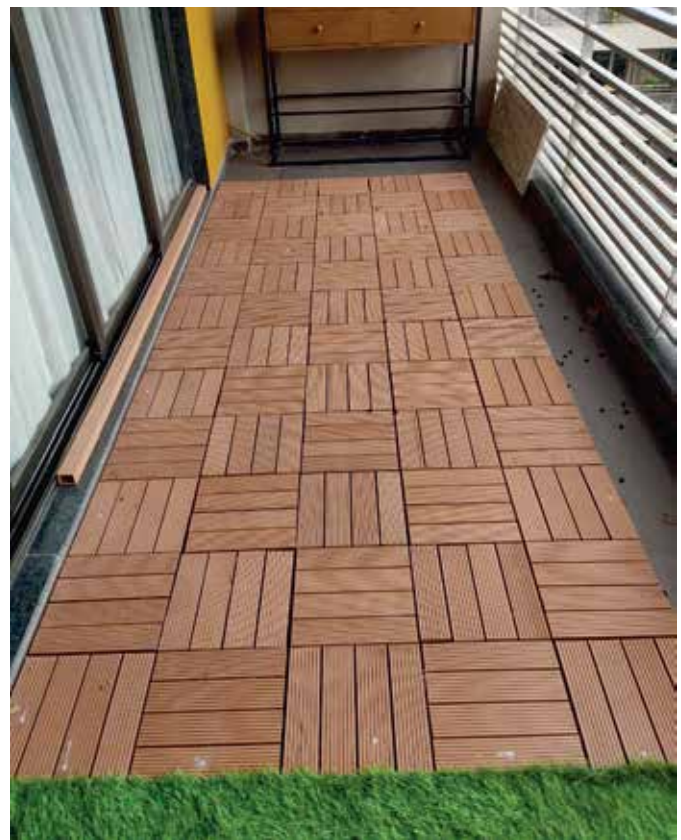
Hex Screw #8x19

# WPC DECK TILES



**Smit Enterprise.** Deck Tiles is the quick and simple solution if you want to transform your balconies or rooftops. Elevar WPC provides a range of WPC Deck Tiles with a series of color and wood grain for selection. The installation is very easy as far as the flat surface are concerned, simple steps can complete the outdoor floor laying and no need to use other tools.

Elevar WPC Deck Tiles have a non-slip deck surface that can be used as a non-slip floor next to the swimming pool. High strength plastic interlock frame at the bottom facilitates air circulation and water discharged from the bottom.





**Profile Code**  
**Dimensions**

: EW-4001  
: 300mm x 300mm

**Profile Code** : EW-4002  
**Dimensions** : 300mm x 300mm



**Profile Code**  
**Dimensions**

: EW-4003  
: 300mm x 300mm

**Profile Code** : EW-4004  
**Dimensions** : 300mm x 300mm



**Profile Code**  
**Dimensions**

: EW-4005  
: 300mm x 300mm

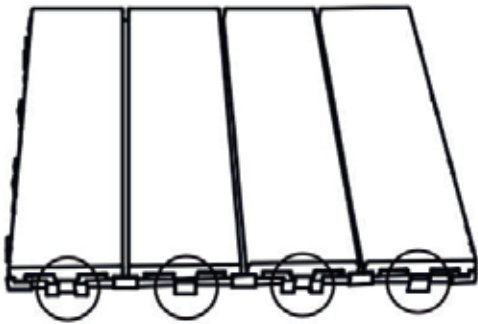
**Protip: Mix around the different styles (vertical and horizontal) to give your deck a unique look.**





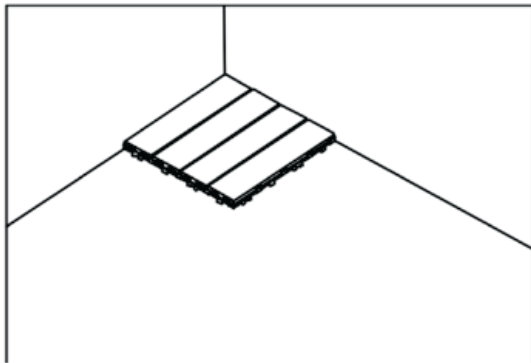
Installing Deck Tiles  
**WPC DECK TILES**  
**INSTALLATION**

**1** The Deck Tile is relatively easy to install using its four side interlocking base making it very user friendly. Each side has two male and female connectors that connect to an adjacent tile, these connectors are circled in Diagram 1.



**Diagram : 1**

**2** Place the first tile in a corner of flush along the edge of the area you will be installing as shown in Diagram 2.

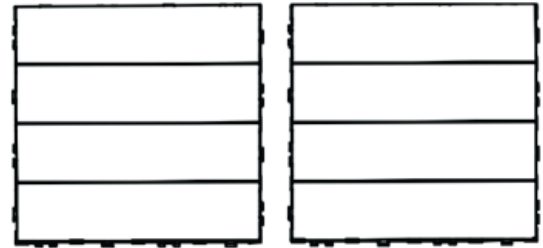


**Diagram : 2**

Next take another tile and determine which type of pattern/style you like to do. Vertical is shown in Diagram 3 and horizontal is shown in Diagram 4.

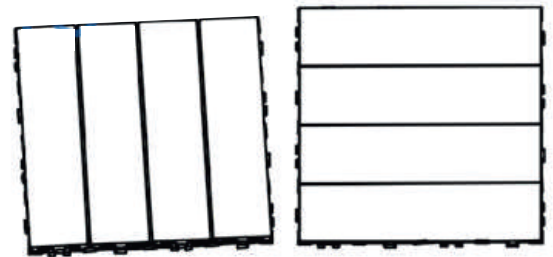


**Diagram : 3**



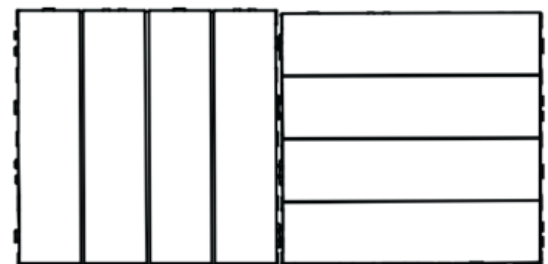
**Diagram : 4**

**3** Now, take the second tile and align the connectors up with the first tile as shown in Diagram 5.



**Diagram : 5**

**4** Then, attach the first two connectors into each other as shown in Diagram 6, You might need to lift up one of the tiles to get a better grip.



**Diagram : 6**

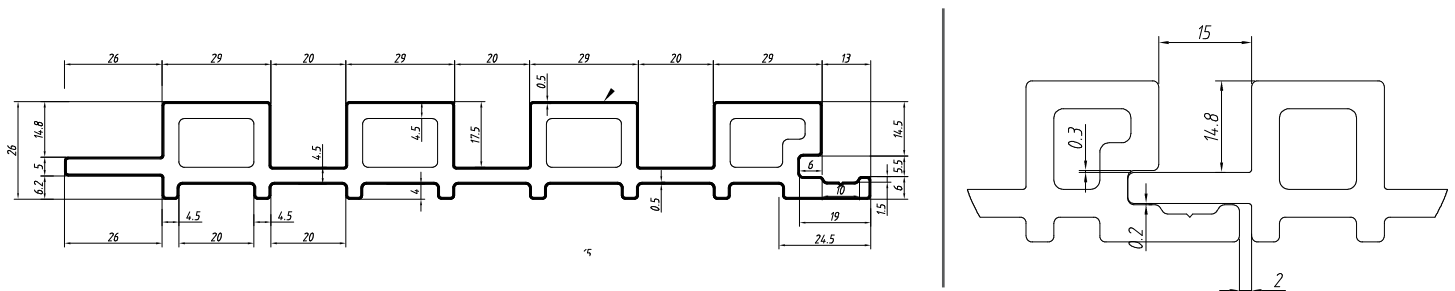


# WPC LOUVER

Interior & Exterior



Presenting a remarkable combination of nature and technology, Which offers a highly Superior, Resilient and Cost effective alternate to real wood cladding. Created from the fusion of recycled hardwood fibres and virgin polymer resins using the latest Co-Extrusion Technology, Elevar WPC Exterior Louver & Interior Louver Panels are Pre Finished, Ready to Install, Completely Water & Termite Proof, Stain resistant and durable enough to last for a lifetime. Our Louver Panels can be used to beautify all Exterior & Interior Walls and Ceilings in residential and commercial applications without any fear of deformation, rot or fading.



**Profile Code** : EW-5001  
**Dimensions** : 215mm x 26mm  
**Standard Length** : 8ft, 10ft  
**Colour** : Brown

**Profile Code** : EW-5002  
**Dimensions** : 215mm x 26mm  
**Standard Length** : 8ft, 10ft  
**Colour** : Teak



**Profile Code** : EW-5003  
**Dimensions** : 215mm x 26mm  
**Standard Length** : 8ft, 10ft  
**Colour** : Gray



**Smit Enterprise.** hollow profiles are the perfect material for pergolas, gazebos and elevation features. Our light weight sections replace heavy steel frames or wood which demand periodic maintenance and painting to avoid deterioration from exposure to weather or corrosion, with a wood appearance that requires little maintenance, Elevar WPC retain natural wood aesthetics in terrace and garden pergolas, cantilever features, car parks, elevation features of buildings and other applications.

### APPLICATION

- Beach Areas • Hotel Buildings • Hotel Gardens • Roof Gardens
- Theme Parks • Villa Complex • Parking Areas



**Product Name** : Pipe  
**Profile Code** : EW-6001  
**Dimensions** : 38mm x 44mm  
**Standard Length** : 8ft, 10 ft

**Product Name** : Rafter  
**Profile Code** : EW-6002  
**Dimensions** : 120mm x 60mm  
**Standard Length** : 8ft, 10 ft



**Product Name** : Pillar  
**Profile Code** : EW-6003  
**Dimensions** : 150mm x 150mm  
**Standard Length** : 8ft, 10 ft





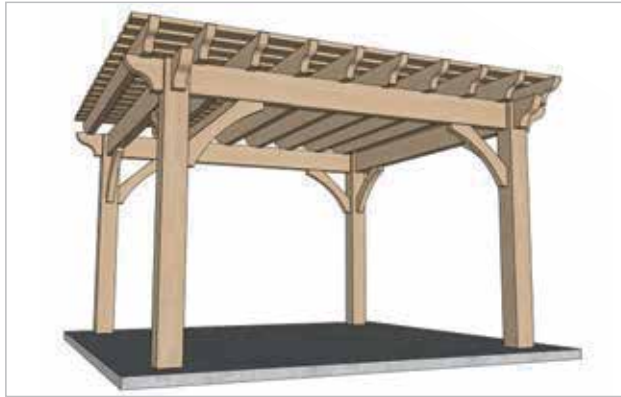
# *Pergola & Gazebo*



An Expert Choice PVC/WPC



# WPC PERGOLA & GAZEBO INSTALLATION



**STEP 1:** Layout the Location of the Posts.

Length between posts

SUPPORT BEAM

**STEP 2:** Install the Knife Plates.

Post Width

Post Width

Wax

**STEP 4:** Prepare Posts.

6" Lag

3" Deep

1/2" Anchor Bolts

Same Height

Same Height

**STEP 3:** Determine if bottom of Posts need to be Cut.

Difference

Longer Posts

Shorter Posts (Cut the difference off the bottom)

**STEP 5:** Stand the Posts & Set beams.

**STEP 6:**

We Recommend caulking joints on top of post with Exterior Caulk to prevent moisture from entering Joists.

Rafter Notches

**STEP 7:** Hold Knee Braces in place with 3" Screw before fastening with 7" lags.

10" Lag

Beam Extension

7" Lag

3" Tack Screws

26"

**STEP 8:** Install Rafter.

Layout Rafters

Top View Of Layout Rafter

Layout marks (horizontal slashes indicate which side of the mark the shade planks are to be placed)

Equal

**STEP 9:** Fasten Rafters Support beams with 3" Screw on each side.

**STEP 10:** Install the Shade Planks.

Equal Equal Equal Equal

Shade Plank


**STEP 11:** Plug holes & touch up.

Rafters

Pilot holes


Shade plank splice

**Smit Enterprise.**Rafters helps in protecting the garden areas from animals and gives flexibility to personalize the living space. Rafters also use in baffle ceiling, louvered partitions, staircase railing partition, roofing sunshade, Elevation Sunshade.

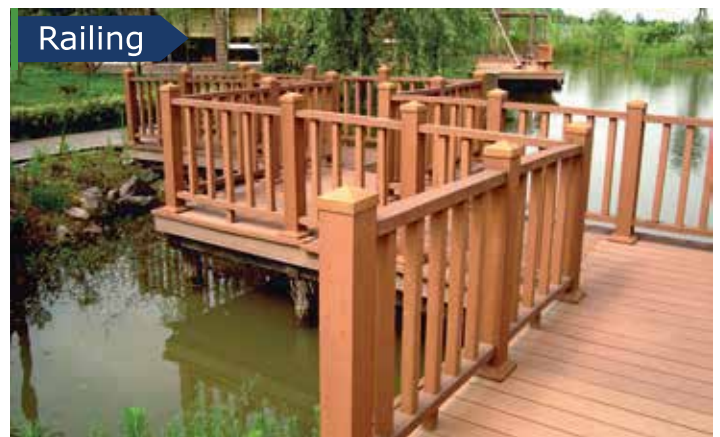


**Product Name** : Pipe  
**Profile Code** : EW-6001  
**Dimensions** : 38mm x 44mm  
**Standard Length** : 8ft, 10 ft

**Product Name** : Rafter  
**Profile Code** : EW-6002  
**Dimensions** : 120mm x 60mm  
**Standard Length** : 8ft, 10 ft

**Product Name** : Pillar  
**Profile Code** : EW-6003  
**Dimensions** : 150mm x 150mm  
**Standard Length** : 8ft, 10 ft



Louvered Partitions



Railing



Louvered Partitions



Roofing Sunshade

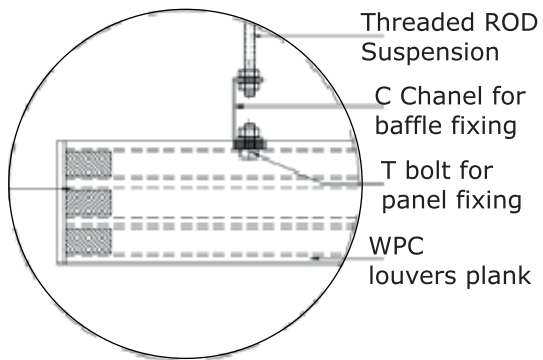


Staircase Railing Partitions

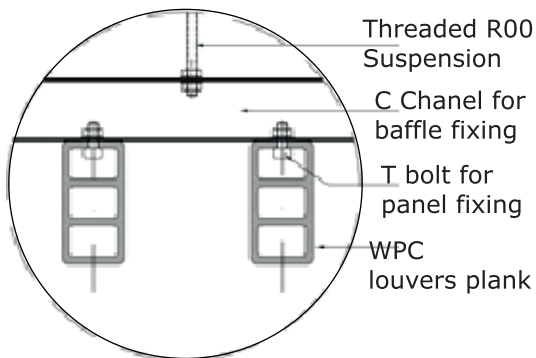


# WPC Rafter INSTALLATION

## Baffle Ceiling System



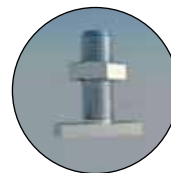
**Typical Fixing Detail-A**



**Typical Fixing Detail-B**



### Hardware & Accessories



T BOLT

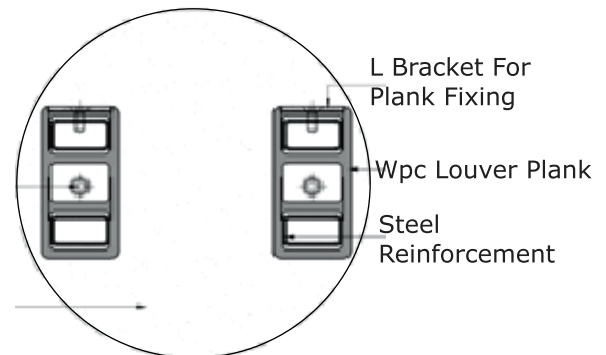


BAFFLE FIXING CHANNEL

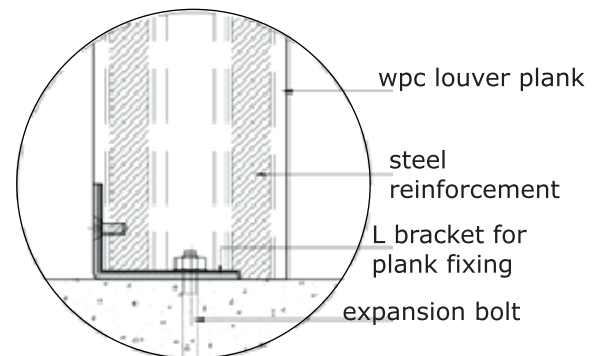


THREADED ROD

## Partation System



**Horizontal fixing detail**



**Vertical fixing detail**

### Hardware & Accessories



L BRACKET



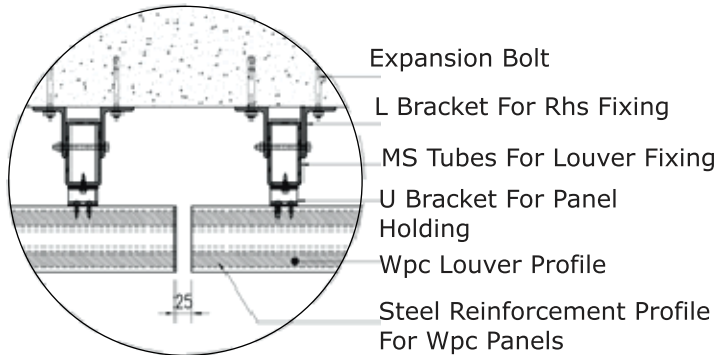
ALLEN BOLT



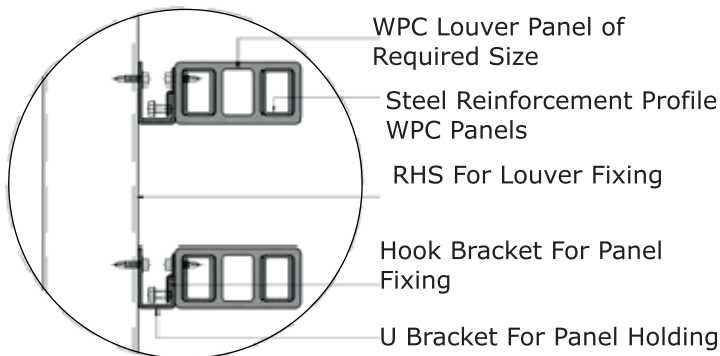
EXPANSION BOLT

# WPC Rafter INSTALLATION

## Elevation Sunshade System Horizontal



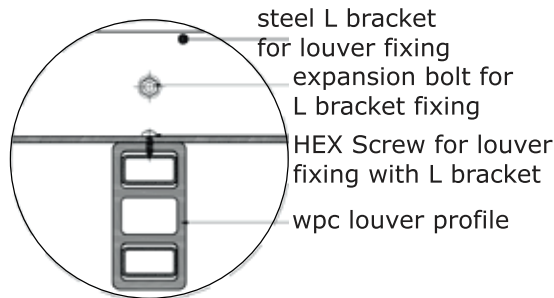
**Horizontal fixing detail**



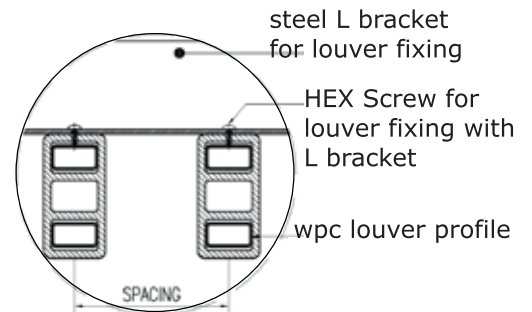
**Vertical fixing detail**



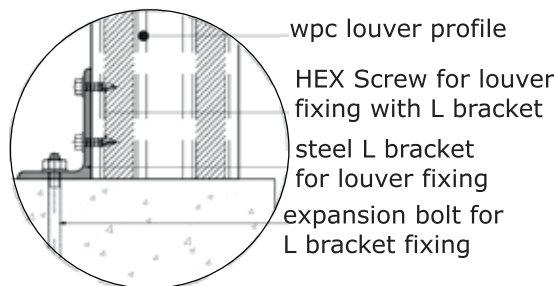
## Vertical Beam to Beam



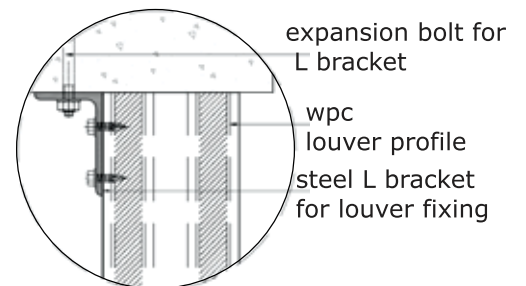
**Horizontal fixing detail**



**Horizontal spacing detail**



**Bottom fixing detail**



**Top Fixing detail**

### Hardware & Accessories



WPC लगाए, दिमक से छुटकारा पाए...



## Our Products

**WPC Frame**

**WPC Door**

**WPC Deck Flooring**

**WPC Wall Cladding**

**WPC Plank**

**WPC Deck Tiles**

**WPC Louvers**

**WPC Pergola & Gazebo**



**SMIT ENTERPRISE**

An Expert Choice

**PVC/WPC**